

# RS PRO P2 S

warm white  
 EAN 4007841 056100  
 Article number 056100



LED	Hochfrequenz Sensor 360°	Ø 1 - 8 m	3000 K	IP54	2 - 2000 Lux	5 Sek - 15 Min	Lichtquelle nicht austauschbar	Betriebsgerät nicht austauschbar	10% Grundlicht
30 Jahre (Ø 4,5 Std / Tag)			3000K warmweiß						

## Function description

Circular classic. Perfect shape. Perfect efficiency. The perfect switched indoor light . The RS PRO P2 S integrates harmoniously into corridors, hallways and stairwells. It combines timeless design and extremely easy installation with pioneering technology and unbeatable efficiency. In addition, two metal discs are always included to further limit the sensor in certain directions. As many as ten lights can be interconnected by cable. Output: 15,1 W with 1674 lm, 3000 K.

## Technical specifications

Dimensions (Ø x H)	320 x 110 mm
With lamp	Yes, STEINEL LED system
With motion detector	Yes
Manufacturer's Warranty	5 years
Version	warm white
PU1, EAN	4007841056100
Colour	white
Installation site	wall, ceiling
Installation	Ceiling
Impact resistance	IK03
IP-rating	IP54
Protection class	II
Ambient temperature	-10 – 40 °C
Housing material	Plastic
Cover material	Plastic, opal
Mains power supply	220 – 240 V / 50 – 60 Hz

LED cooling system	Passive Thermo Control
Soft light start	Yes
Twilight setting	2 – 2000 lx
Time setting	5 s – 15 Min.
Basic light level function	Yes
Basic light level function time	10/30 min, all night
Main light adjustable	No
Interconnection	Yes
Interconnection via	Cable
Lifetime LED according to IEC-62717 (L70)	100.000 h
Lifetime LED according to IEC-62717 (L80)	73.000 h
Lebensdauer LED nach IES TM-21 (L70)	60.000 h
Lifetime LED according to IES TM-21 (L80)	60.000 h
Fuse protection B10	54

# RS PRO P2 S

warm white  
EAN 4007841 056100  
Article number 056100



## Technical specifications

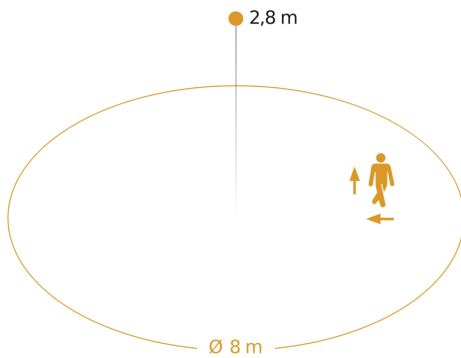
Mounting height max.	4,00 m
Electronic scalability	Yes
Mechanical scalability	No
Reach, radial	Ø 8 m (50 m <sup>2</sup> )
Reach, tangential	Ø 8 m (50 m <sup>2</sup> )
Luminous flux total product	1674 lm
Total product efficiency	111 lm/W
Colour temperature	3000 K
Lamp	LED cannot be replaced
Base	without

Fuse protection B16	87
Fuse protection C10	90
Fuse protection C16	145
LED lamps > 8 W	250 W
Capacitive load in µF	88 µF
Basic light level function in per cent	10 %
Output	15,1 W
Colour Rendering Index CRI	= 82
Photobiological safety in accordance with EN 62471	RG1
Starting current, maximum	13 A
IP-rating, ceiling	IP54
Detection angle	360 °

# RS PRO P2 S

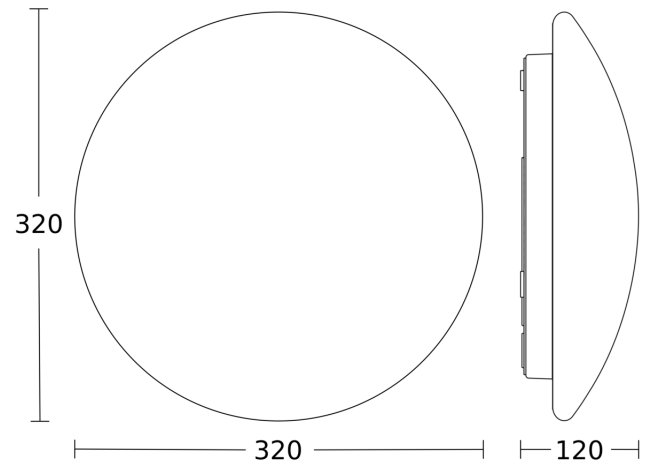
warm white  
EAN 4007841 056100  
Article number 056100

## Detection Zone

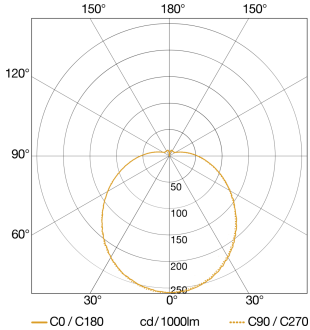


Possible mounting height: 2,00 m - 4,00 m  
Orange: radial and tangential

## Dimension Drawing

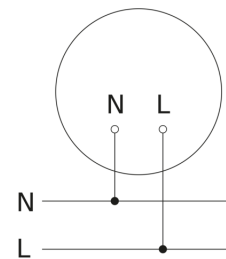


## Light Distribution Curve



<b>Output</b>	15,1 W
<b>With lamp</b>	Yes, STEINEL LED system
<b>Lamp</b>	LED cannot be replaced
<b>Measured luminous flux (360°)</b>	1674 lm
<b>Colour temperature</b>	3000 K
<b>LED life expectancy (max. °C)</b>	50000 h
<b>LED cooling system</b>	Passive Thermo Control

## Master circuit diagram

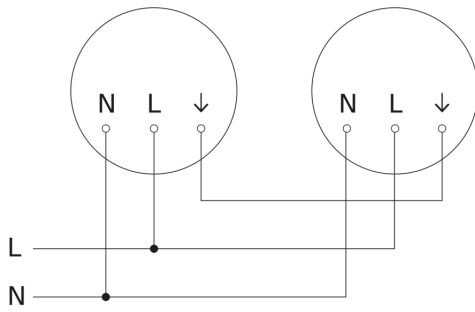


# RS PRO P2 S

warm white  
EAN 4007841 056100  
Article number 056100



**Master/master interconnection circuit diagram**



**Master/slave interconnection circuit diagram**

